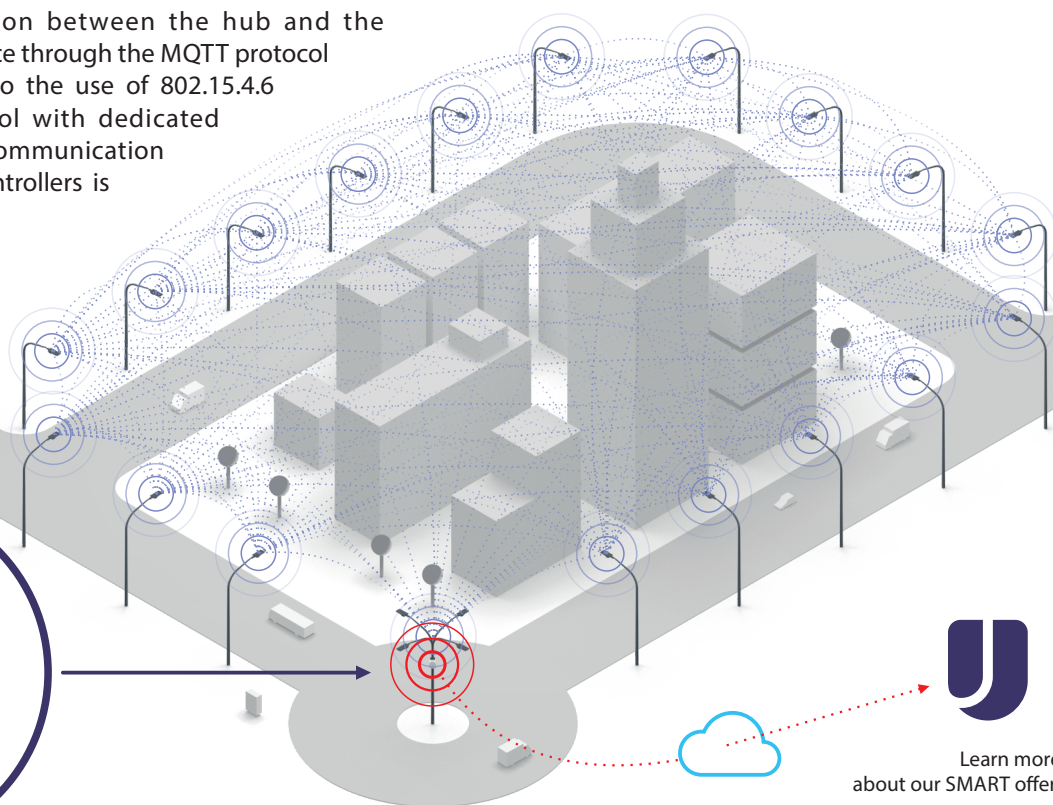




HUBloT-1 is a hub (also called a gateway or a router) which allows the BIOTcloud servers to communicate with Thread devices such as iBLOC or eBLOC via the Internet (through cell phone network or LAN). HUBloT-1 has 2 independent radio modules for Thread communication, which means that communication between Thread clusters does not require communication with servers. Therefore, it is possible to implement functions such as tracking lighting – which works in real time with no supervision from the cloud.

HUBloT-1 serves as a bridge which connects the management system installed in the cloud with controllers and sensors located at various sites. Communication between the hub and the management system takes place through the MQTT protocol and SSL certificates. Thanks to the use of 802.15.4.6 loWPAN and Thread protocol with dedicated extensions for Smart City, communication between the hub and the controllers is wireless.



Learn more
about our SMART offer:

www.lug.com.pl/Urban

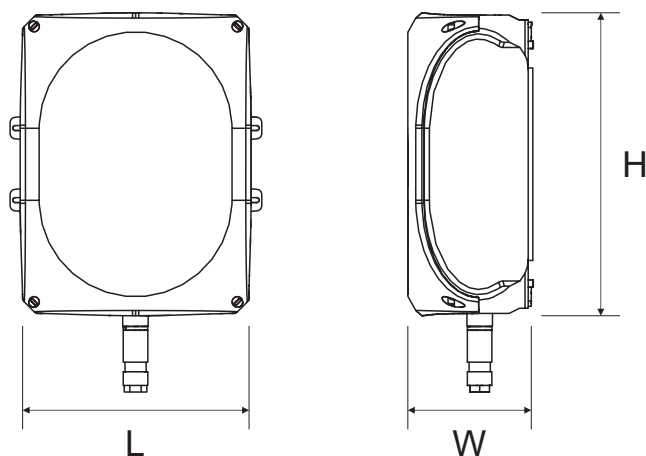
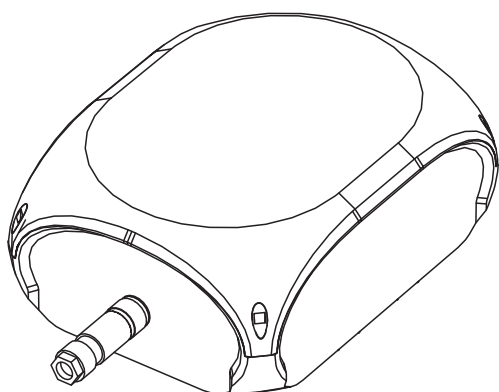
GENERAL DATA

- 2G/3G/4G radio module
- 2.4 GHz radio module with THREAD communication (radio-mesh)
- Ethernet 10/100Base-T port (option)
- Can be mounted on a post or on a wall
- Dedicated for the BIOTcloud lighting control system
- Lifetime of up to 100 000 h
- 5 years warranty

AVAILABLE VERSIONS

Code	Version	Mounting	Wired interface	Power	Dimensions [mm] L W H
790013.001	EU	on a pole	-	220-240 V 50 Hz	225 122 295
790013.002	EU	on surface	-	220-240 V 50 Hz	225 122 295
790013.003	EU	on a pole	Ethernet	220-240 V 50 Hz	225 122 295
790013.004	EU	on surface	Ethernet	220-240 V 50 Hz	225 122 295
790013.101	Global	on a pole	-	220-240 V 50 Hz	225 122 295
790013.102	Global	on surface	-	220-240 V 50 Hz	225 122 295
790013.103	Global	on a pole	Ethernet	220-240 V 50 Hz	225 122 295
790013.104	Global	on surface	Ethernet	220-240 V 50 Hz	225 122 295

DIMENSIONS



ADDITIONAL PHOTOS



DEVICE PARAMETERS

INPUT PARAMETERS	Supply voltage [U_{in}]: 220-240 V Supply frequency [f_{in}]: 50 Hz Input power [P_{in}]: 10 W
ENVIRONMENTAL PARAMETERS	Ambient temperature [T_{amb}]: -25 ... +55°C Storage temperature [T_{store}]: -40 ... +85°C Relative humidity [h]: 10 ... 90% Degree of water and dust proof: Ip66
COMMUNICATION WITH SECONDARY DEVICES	Radio frequency protocol: IEEE 802.15.4, 6LoWPAN, Thread Frequency band: 2,4 GHz Max. no. of devices in the network: 200
COMMUNICATION WITH THE PRIMARY SYSTEM	Wireless interface: 2G / 3G / 4G Wired interface: Ethernet Protocol: MQTT Encryption: SSL (2048 bitów)
OTHER	Optional extension sockets: I2C, UART, SPI, 1-Wire, USB Device identification: Kod QR Net weight (without the mounting bracket): 1,9 kg Lifetime ($T_a = 55^\circ\text{C}$): 100 000 h Warranty: 5 years